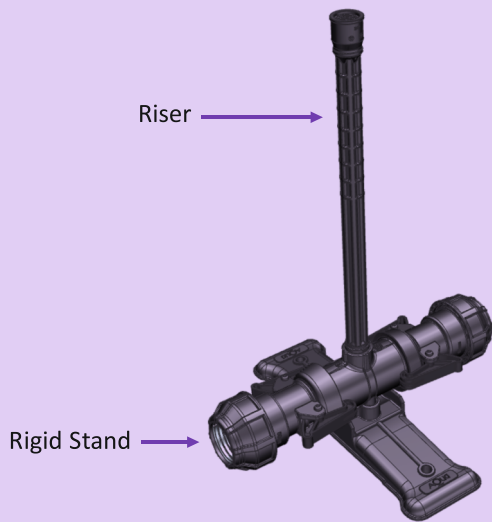


# Aqua Rigid Stand Kit

RS 50 and RS 63mm For PE pipe



## Features

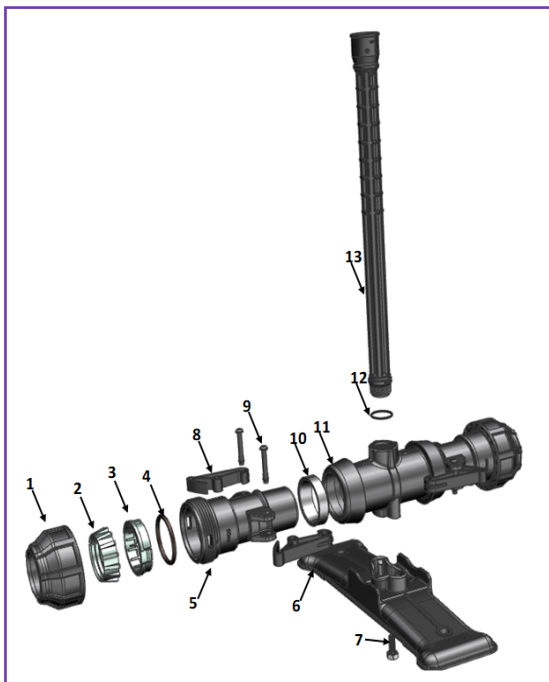
- Fast and user-friendly installation in the field.
- 'O'ring and gasket in rigid stand to avoid leakage.
- Easy assembly mechanism saves on field time and labour.
- Stable and balanced base design for excellent gripping in the field with minimal riser vibration.

## Applications





- Suitable and quick stand for 3/4" sprinkler installation at the Riser Stand.
- Compatible and durable rigid-set and semi permanent irrigation system suitable for agriculture field.

## Technical Specifications

- Rigid Riser Length: 40 cm.
- Riser Connection Outlet: 3/4" Female, Inlet: 3/4" Male thread
- For PE 50 and 63mm pipe quick and reliable connection
- Working Pressure Range: 0.5 to 4.0 kg/cm<sup>2</sup>
- All parts are available in spares.



S.No	Part Name
1	Compression Cap
2	Gripper
3	Bush
4	O-Ring
5	Quick Adaptor
6	Rigid Base
7	SS-Bolt with Washer
8	Hook
9	Hook Pin
10	Coupler V-ring
11	Coupler
12	Riser O-Ring
13	Riser Riser

Spares Parts	
	Rigid Stand Plug
	Coupling Nut 2" Male Thread BSP/ NPT
	Quick adaptor PE 50 /PE 63
	Rigid Riser 3/4 F x 3/4" M



**AUTOMAT IRRIGATION PRIVATE LIMITED**

Website: [www.automatworld.com](http://www.automatworld.com) | e-mail: [contactus@automatworld.com](mailto:contactus@automatworld.com)



<https://www.facebook.com/automatindustries>



<https://www.youtube.com/automatindustries>